



A.U.S. Spielgeräte GmbH
 Scheydgasse 48 A-1210 Wien
 Tel: +43-1-271 66 00 Fax: +43-1-271 66 00 75
 E-mail: verkauf@aus.at
 http://www.aus.at
 Öffnungszeiten: Mo-Fr: 9-18 Uhr

Medium Round H/L Profile I.P.B. RM-E (RM-E)



Technical Data

Features

Robust assembly.

Available an extensive range of colours.

Illumination with Led or T10 Lamp.

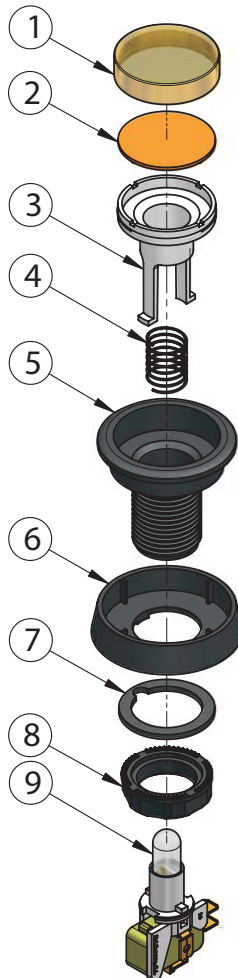
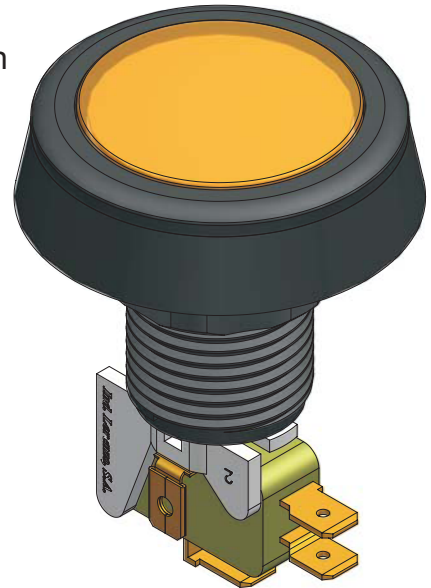
Microswitch variety.

Applications

Gaming machines where robust, H/L Profile Push Button are needed.

The I.P.B. A0122 RM-E is High/Low profile Push Button with Classic Medium Round shape and can be mounted depending on convenience.

This I.P.B. is made with Plug-in System.



(1) LENS CAP "RM"		
# PART NUMBER	MATERIAL	COLOUR
C-01-50106001	PC (Clear)	RED
C-01-50106002		YELLOW
C-01-50106003		GREEN
C-01-50106004		AMBER
C-01-50106005		BLUE
C-01-50106006		TRANSPARENT

(6) ADAPTER PL. "RM-E"		
# PART NUMBER	MATERIAL	COLOUR
C-01-03406010	A.B.S.	NATURAL
C-01-03406011		RED
C-01-03406012		YELLOW
C-01-03406013		GREEN
C-01-03406014		AMBER
C-01-03406015		BLUE
C-01-03406016		WHITE
C-01-03406017		BLACK

(5) BEZEL PL. "RM-E"		
# PART NUMBER	MATERIAL	COLOUR
C-01-01406010	A.B.S.	NATURAL
C-01-01406011		RED
C-01-01406012		YELLOW
C-01-01406013		GREEN
C-01-01406014		AMBER
C-01-01406015		BLUE
C-01-01406017		BLACK
S-01-014060102		GOLDEN CHROMED
S-01-014060103		SILVER CHROMED
C-01-01406031		PC (Clear)
C-01-01406033	GREEN	
C-01-01406036	TRANSPARENT	

(2) PLASTIC LEGEND "RM"		
# PART NUMBER	MATERIAL	COLOUR
C-01-51106001	PS	RED
C-01-51106002		YELLOW
C-01-51106003		GREEN
C-01-51106004		AMBER
C-01-51106005		BLUE
C-01-51106006		WHITE
C-01-51106010	A.B.S.	OPAL
C-01-51106066	PC	OPAL

www.aus.at

Contact
 Tel: +43 (0) 1 271 66 00
 e-mail: sales@aus.at
 Scheydgasse 48
 1210 Wien
 Austria

English Rev:1.0.1

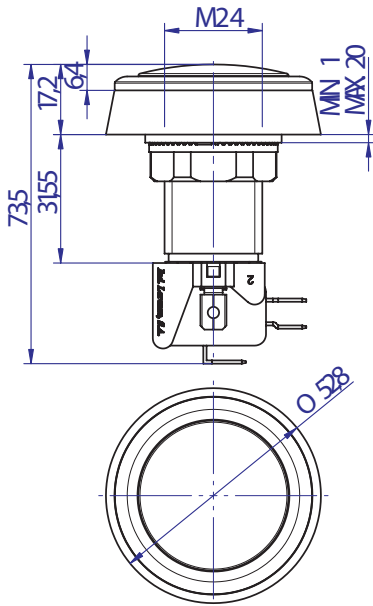


A.S. Spielgeräte GmbH
 Scheydgasse 48 A-1210 Wien
 Tel. +43-1-271 66 00 Fax +43-1-271 66 00 75
 E-mail: verkauf@aus.at
 http://www.aus.at
 Öffnungszeiten: Mo-Fr: 9-18 Uhr

Medium Round H/L Profile I.P.B. RM-E
 (RM-E)



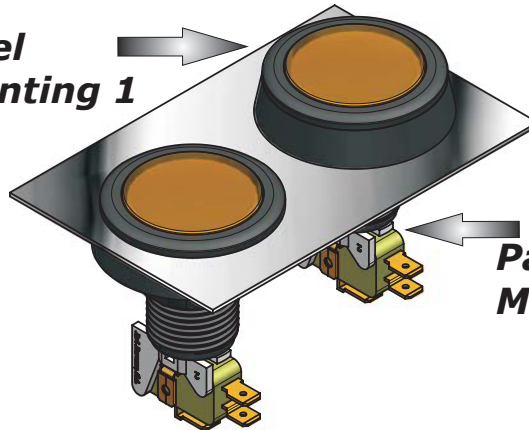
Technical Data



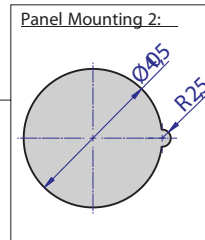
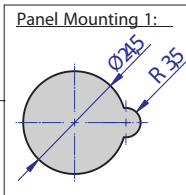
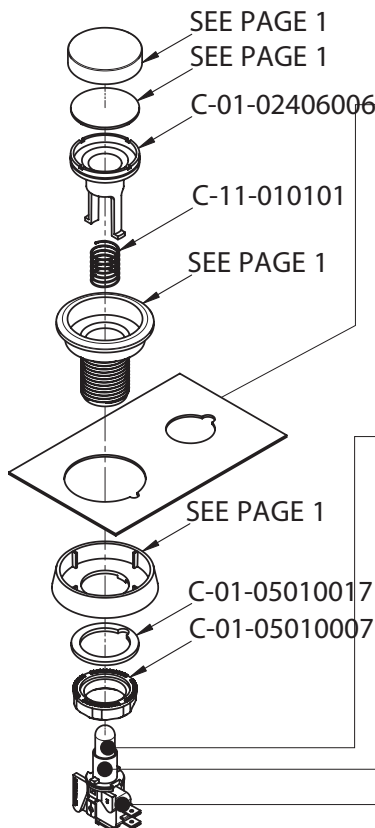
Dimensions

Low / High Profile

Panel Mounting 1



Panel Mounting 2



Exploded View

Available Lamps:

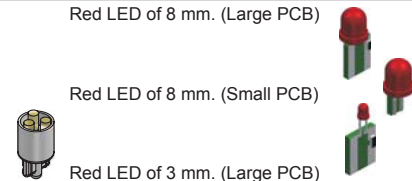
- T-10 12V 2,2W
- T-10 12V 1,5W
- T-10 12V 1,2W
- T-10 6V 2,0W
- T-10 6V 1,5W
- T-10 24V 2,0W
- T-10 28V 1,6W

Also available triple "Led" C-08-P3312X

Red LED of 8 mm. (Large PCB)

Red LED of 8 mm. (Small PCB)

Red LED of 3 mm. (Large PCB)



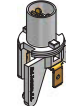
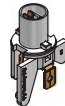
Lampholders:

Standard Lampholder for standard Microswitches. Fast-on 6,35x0,4

Standard Lampholder for standard Microswitches. Fast-on 6,35x0,7

Standard Lampholder for standard Microswitches. Fast-on 4,75x0,7

Standard Lampholder for standard Microswitches. Fast-on 6,35x0,7



Available Microswitches:

- SAIA 3t (6,35 mm)
- Honeywell 2t (6,35 mm)
- Cherry 3t (6,35 mm)
- Cherry 3t (4,75 mm)

NOTE: Some modifications or adaptations might be available under special request.

www.aus.at

Contact
 Tel: +43 (0)1 271 66 00
 e-mail: sales@aus.at
 Scheydgasse 48
 A-1210 Wien
 Austria

English Rev:1.0.1