

A0107

Small Round Push Button (RP)



Technical Data

Features

Robust assembly.

Large number of colours available.

Illumination with Led or T10 Lamp.

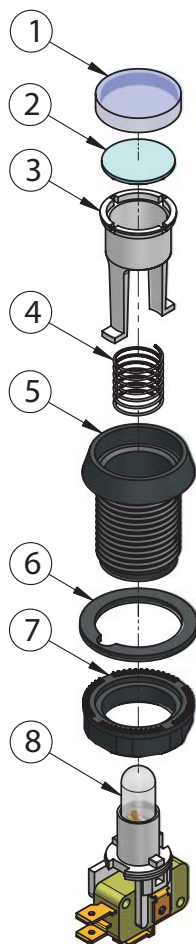
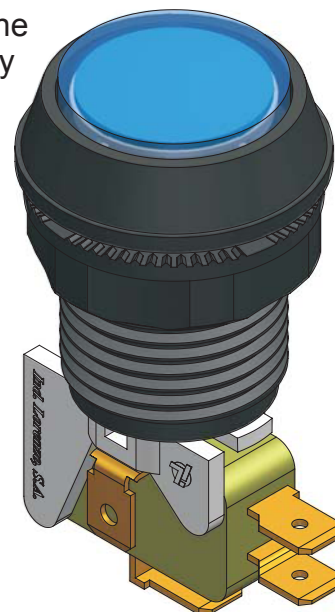
Microswitch variety.

Applications

Gaming machines where small round Push Button, classic and robust are needed.

The I.P.B. A0107 RP is known in the Gaming and Amusement market by it's single shape and large dimension.

The I.P.B. A0107 is available in two kinds of fixation, standard Plug-in and Easy Clip System (ECS A01A7).



(5) I.P.B. BEZEL "RP"		
# PART NUMBER	MATERIAL	COLOUR
C-01-01107010	A.B.S. (natural)	—
C-01-01107017	A.B.S.	BLACK
S-01-011070102		GOLDEN CHROMED
S-01-011070103		SILVER CHROMED
C-01-01107021	NYLON	RED
C-01-01107022		YELLOW
C-01-01107023		GREEN
C-01-01107025		BLUE
C-01-01107031	PC (Clear)	RED
C-01-01107032		YELLOW
C-01-01107033		GREEN

(1) LENS CAP "RP"		
# PART NUMBER	MATERIAL	COLOUR
C-01-50107001	PC (Clear)	RED
C-01-50107002		YELLOW
C-01-50107003		GREEN
C-01-50107004		AMBER
C-01-50107005		BLUE
C-01-50107006		TRANSPARENT

(2) PLASTIC LEGEND "RP"		
# PART NUMBER	MATERIAL	COLOUR
C-01-51107001	PS	RED
C-01-51107002		YELLOW
C-01-51107003		GREEN
C-01-51107004		AMBER
C-01-51107005		BLUE
C-01-51107006		WHITE
C-01-51107010	A.B.S.	OPAL
C-01-51107066	PC	OPAL

www.aus.at

Contact
 Tel: +43 (0)1 27166 00
 e-mail: sales@aus.at
 Scheydgasse 48
 AT-1210 Wien
 Austria

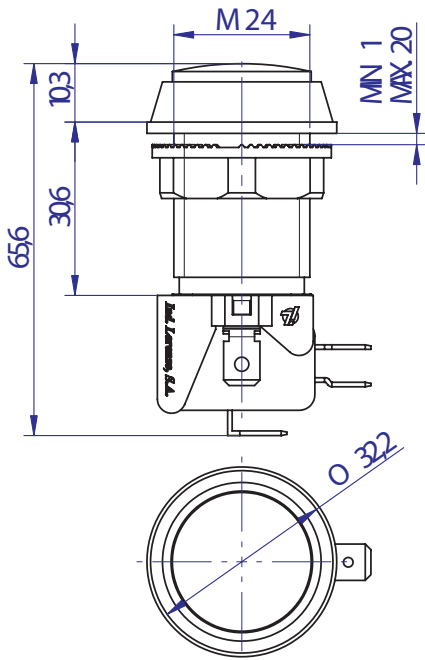
English Rev:1.0.0

A0107

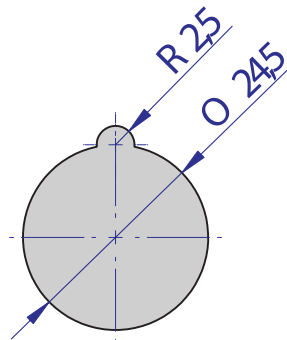
Small Round Push Button
(RP)



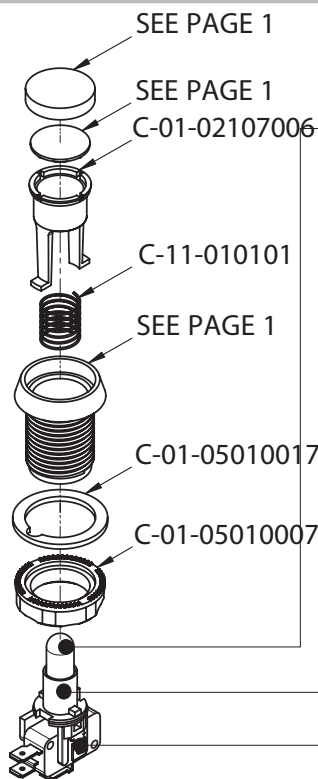
Technical Data



PANEL MOUNTING



Dimensions



Available Lamps:

- T-10 12V 2,2W
 - T-10 12V 1,5W
 - T-10 12V 1,2W
 - T-10 6V 2,0W
 - T-10 6V 1,5W
 - T-10 24V 2,0W
 - T-10 28V 1,6W
- Also available triple "Led" C-08-P3312X

Red LED of 8mm. (Large PCB)

Red LED of 8mm. (Small PCB)

Red LED of 3mm. (Large PCB)



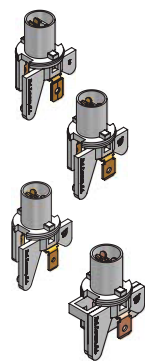
Lampholder:

Standard Lampholder for standard Microswitches. Fast-on 6,35x0,4

Standard Lampholder for standard Microswitches. Fast-on 6,35x0,7

Standard Lampholder for standard Microswitches. Fast-on 4,75x0,7

Standard Lampholder for standard Microswitches. Fast-on 6,35x0,7



Available Microswitches:

- SAIA 3t (6,35 mm)
- Honeywell 2t (6,35 mm)
- Cherry 3t (6,35 mm)
- Cherry 3t (4,75 mm)

Exploded view

NOTE: Some modifications or adaptations might be available under special request.

www.aus.at

Contact
Tel: +43 (0)1 2716600
e-mail: sales@aus.at
Scheydgasse 48
A-1210 Wien
Austria

English Rev:1.0.0