

A0102

Large Square Push Button
(CG)



Technical Data

Features

Robust assembly.

Large number of colours available.

Illumination with Led or T10 Lamp.

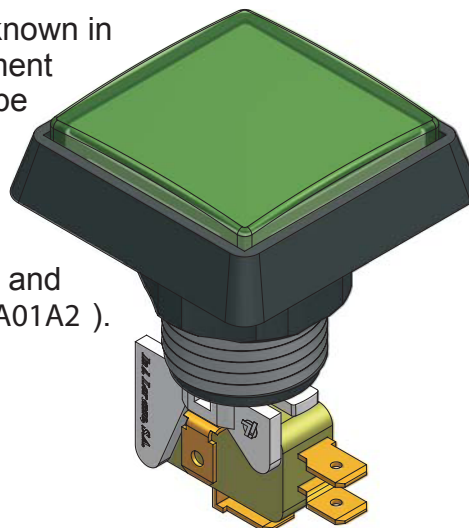
Microswitch variety.

Applications

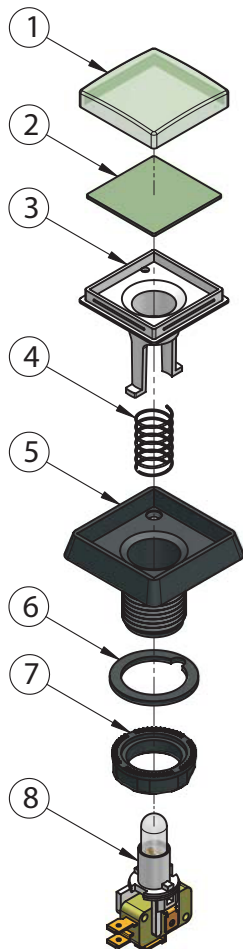
Gaming machines where large square, classic and robust Push Button are needed.

The I.P.B. A0102 CG is known in the Gaming and Amusement market by its single shape and large dimension.

The I.P.B. A0102 is available in two kinds of fixation, standard Plug-in and Easy Clip System (ECS A01A2).



(5) I.P.B. BEZEL "CG"			
# PART NUMBER	MATERIAL	COLOUR	FIXING
C-01-01102210	A.B.S. (natural)	—	42 (mm)
C-01-01102217	A.B.S.	BLACK	
S-01-011022103		SILVER CHROMED	
C-01-01102221	NYLON	RED	
C-01-01102222		YELLOW	
C-01-01102223		GREEN	
C-01-01102225		BLUE	
C-01-01102231	PC (Clear)	RED	
C-01-01102232		YELLOW	
C-01-01102233		GREEN	
C-01-01102810	A.B.S. (Natural)	—	38 (mm)
C-01-01102817	A.B.S.	BLACK	
S-01-011028102		GOLDEN CHROMED	
S-01-011028103		SILVER CHROMED	
C-01-01102821	NYLON	RED	
C-01-01102822		YELLOW	
C-01-01102823		GREEN	
C-01-01102825		BLUE	
C-01-01102831	PC (Clear)	RED	
C-01-01102832		YELLOW	
C-01-01102833		GREEN	
C-01-01102836		CRYSTAL	
C-01-01102847	A.B.S. (Latistat)	BLACK	



(1) LENS CAP "CG"		
# PART NUMBER	MATERIAL	COLOUR
C-01-50102001	PC (Clear)	RED
C-01-50102002		YELLOW
C-01-50102003		GREEN
C-01-50102004		AMBER
C-01-50102005		BLUE
C-01-50102006		TRANSPARENT

(2) PLASTIC LEGEND "CG"		
# PART NUMBER	MATERIAL	COLOUR
C-01-51102001	PS	RED
C-01-51102002		YELLOW
C-01-51102003		GREEN
C-01-51102004		AMBER
C-01-51102005		BLUE
C-01-51102006		WHITE
C-01-51102010	A.B.S.	OPAL
C-01-51102066	PC	OPAL

www.aus.at

Contact
Tel: +43 (0) 1 271 66 00
e-mail: sales@aus.at
Scheydgasse 48
A-1210 Wien
Austria

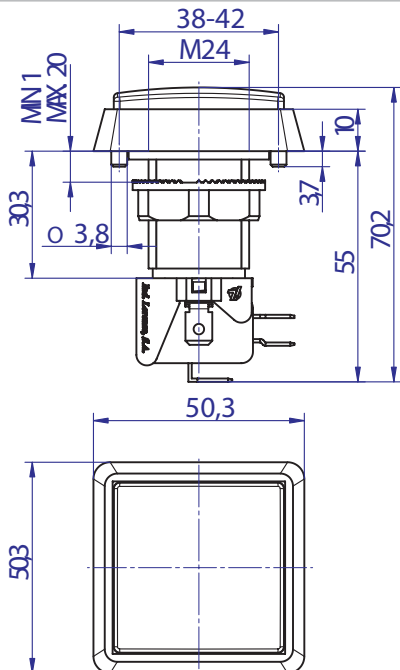
English Rev:1.0.0

A0102

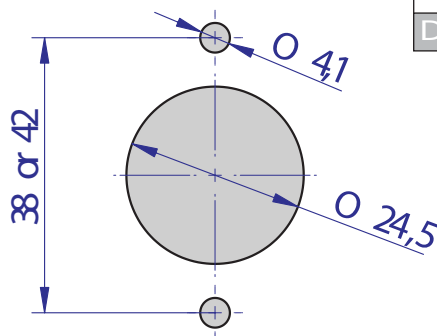
Large Square Push Button
(CG)



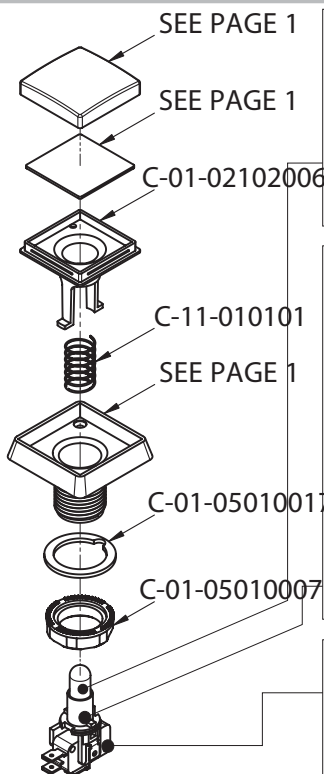
Technical Data



PANEL MOUNTING



Dimensions



Available Lamps:

- T-10 12V 2,2W
 - T-10 12V 1,5W
 - T-10 12V 1,2W
 - T-10 6V 2,0W
 - T-10 6V 1,5W
 - T-10 24V 2,0W
 - T-10 28V 1,6W
- Also available triple "Led" C-08-P3312X

Red LED of 8mm. (Large PCB)

Red LED of 8mm. (Small PCB)

Red LED of 3mm. (Large PCB)



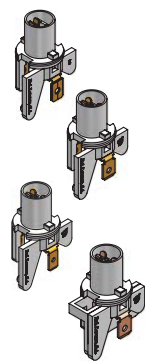
Lampholder:

Standard Lampholder for standard Microswitches. Fast-on 6,35x0,4

Standard Lampholder for standard Microswitches. Fast-on 6,35x0,7

Standard Lampholder for standard Microswitches. Fast-on 4,75x0,7

Standard Lampholder for standard Microswitches. Fast-on 6,35x0,7



Available Microswitches:

- SAIA 3t (6,35 mm)
- Honeywell 2t (6,35 mm)
- Cherry 3t (6,35 mm)
- Cherry 3t (4,75 mm)

Exploded view

NOTE: Some modifications or adaptations might be available under special request.

www.aus.at

Contact
Tel: (+34) 936 47 34 50
e-mail: sales@aus.at
Scheydgasse 48
A-1210 Wien
Austria

English Rev:1.0.0