

A0119

Rectangular High/Low Profile I.P.B.
(RCT-E)



Technical Data

Features

Robust assembly.

Large number of colours available.

Illumination with Led or T10 Lamps.

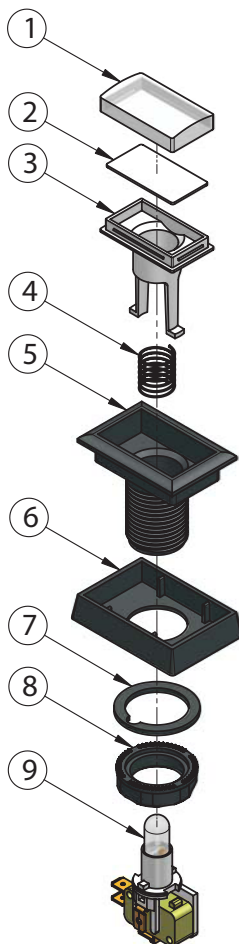
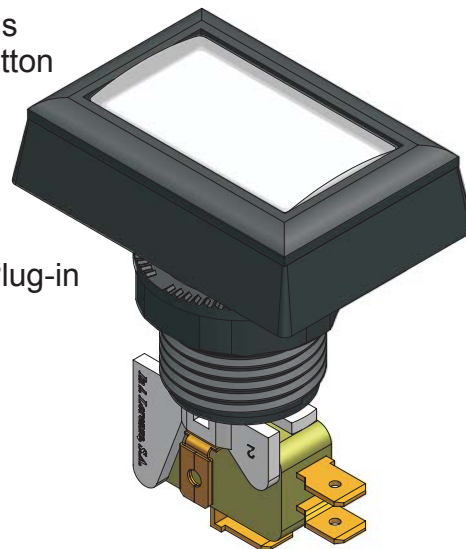
Microswitch variety.

Applications

Gaming machines where robust, H/L Profile Push Button are needed.

The I.P.B. A0119 RCT-E is High/Low profile Push Button with Classic Rectangular shape and can be mounted depending on convenience.

This I.P.B. is made with Plug-in System.



(5) I.P.B. BEZEL "RCT-E"		
# PART NUMBER	MATERIAL	COLOUR
C-01-01401017	A.B.S.	BLACK
C-01-01401021	NYLON	RED
C-01-01401022		YELLOW
C-01-01401023		GREEN
C-01-01401024		AMBER
C-01-01401025		BLUE
C-01-01401026		WHITE
C-01-01401031	PC	RED
C-01-01401032		YELLOW
C-01-01401033		GREEN
C-01-01401034		AMBER
C-01-01401035		BLUE
C-01-01401036		TRANSPARENT

(6) I.P.B. ADAPTER "RCT-E"		
# PART NUMBER	MATERIAL	COLOUR
C-01-03401811	A.B.S.	RED
C-01-03401812		YELLOW
C-01-03401813		GREEN
C-01-03401814		AMBER
C-01-03401815		BLUE
C-01-03401816		WHITE
C-01-03401817		BLACK

(1) LENS CAP "RCT"		
# PART NUMBER	MATERIAL	COLOUR
C-01-50101001	PC (Clear)	RED
C-01-50101002		YELLOW
C-01-50101003		GREEN
C-01-50101004		AMBER
C-01-50101005		BLUE
C-01-50101006		TRANSPARENT

(2) PLASTIC LEGEND "RCT"			
# PART NUMBER	MATERIAL	COLOUR	SPECIAL COLOUR
C-01-51101001	PS	RED	—
C-01-51101002		YELLOW	—
C-01-51101003		GREEN	—
C-01-51101004		AMBER	—
C-01-51101005		BLUE	—
C-01-51101006		WHITE	—
C-01-51101009		GRAY	—
C-01-5110100A		BLUE	Pantone 285C
C-01-5110100C		CREAM	Pantone 7506C
C-01-5110100G		GRAY	Pantone 431C
C-01-5110100L	PURPLE	Pantone 286C	
C-01-5110100R	RED	Pantone 485C	
C-01-51101010	A.B.S.	OPAL	—
C-01-51101066	PC	OPAL	—

www.aus.at

English Rev:1.0.0

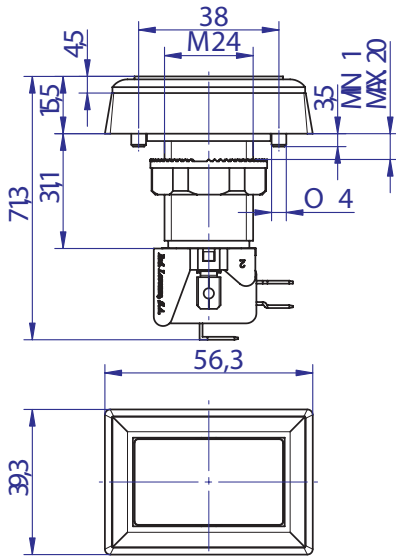
Contact
Tel: +43(0) 1 271 66 00
e-mail: sales@aus.at
Scheydgasse 48
A-1210 Wien
Austria

A0119

Rectangular High/Low Profile I.P.B.
(RCT-E)



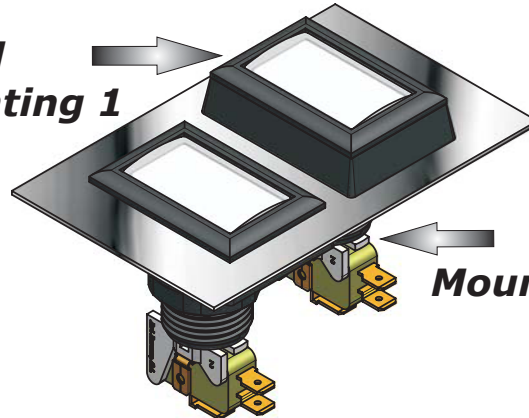
Technical Data



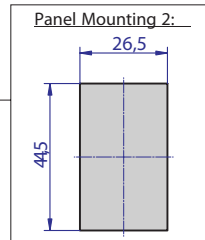
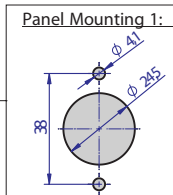
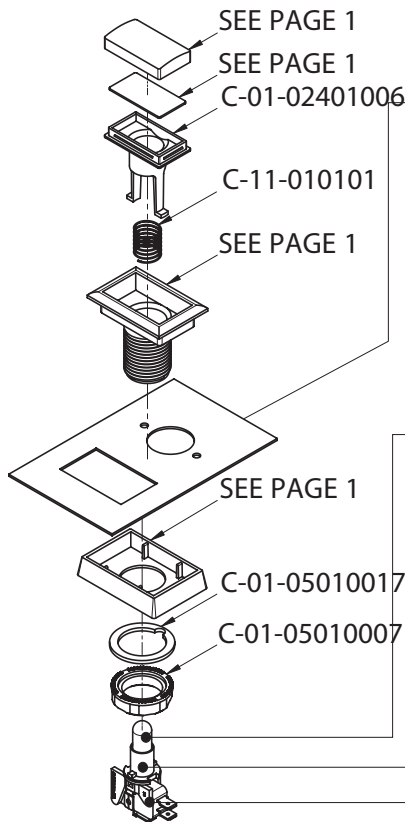
Dimensions

Low / High Profile

Panel Mounting 1



Panel Mounting 2



Exploded view

Available Lamps:

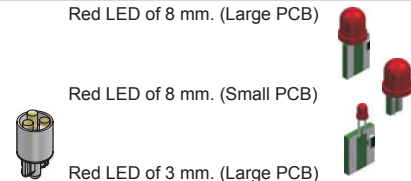
- T-10 12V 2,2W
- T-10 12V 1,5W
- T-10 12V 1,2W
- T-10 6V 2,0W
- T-10 6V 1,5W
- T-10 24V 2,0W
- T-10 28V 1,6W

Also available triple "Led" C-08-P3312X

Red LED of 8 mm. (Large PCB)

Red LED of 8 mm. (Small PCB)

Red LED of 3 mm. (Large PCB)



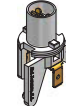
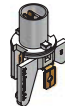
Lampholders:

Standard Lampholder for standard Microswitches. Fast-on 6,35x0,4

Standard Lampholder for standard Microswitches. Fast-on 6,35x0,7

Standard Lampholder for standard Microswitches. Fast-on 4,75x0,7

Standard Lampholder for standard Microswitches. Fast-on 6,35x0,7



Available Microswitches:

- SAIA 3t (6,35 mm)
- Honeywell 2t (6,35 mm)
- Cherry 3t (6,35 mm)
- Cherry 3t (4,75 mm)

NOTE: Some modifications or adaptations might be available under special request.

www.aus.at

Contact

Tel: +43(0) 1 271 66 00
e-mail: sales@aus.at
Scheydgasse 48
A-1210 Wien
Austria

English Rev:1.0.0