

A0109

Double Square Push Button
(CG-2)



Technical Data

Features

Made of high quality technical plastic.

Robust assembly.

Large number of colours available.

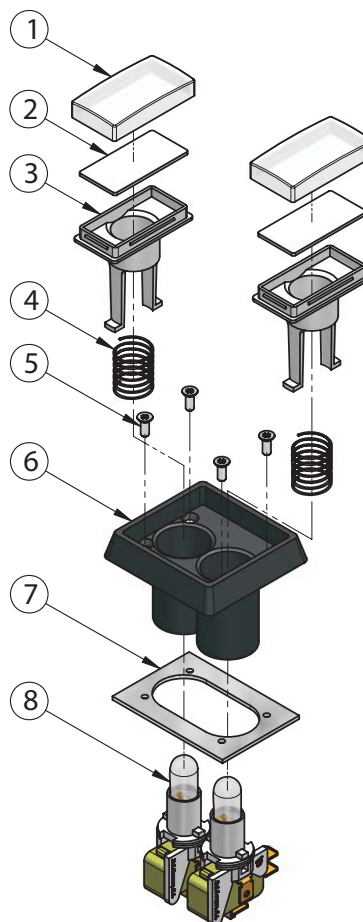
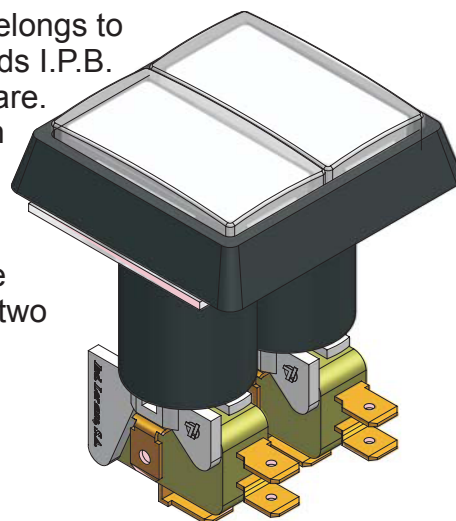
Illumination with Led or T10 Lamp.

Microswitch variety.

Applications

Gaming machines where double square, classic and robust push button are needed.

The I.P.B. A0109 CG-2 belongs to Series IL Double Standards I.P.B. It provides a Classic Square. It provides a dual function in reduced space. Their characteristics cause that this one product very used in hose game machines that use two credit levels.



(1) LENS CAP "CG-2"		
# PART NUMBER	MATERIAL	COLOUR
C-01-50109001	PC (Clear)	RED
C-01-50109002		YELLOW
C-01-50109003		GREEN
C-01-50109004		AMBER
C-01-50109005		BLUE
C-01-50109006		TRANSPARENT

(2) PLASTIC LEGEND "CG-2"		
# PART NUMBER	MATERIAL	COLOUR
C-01-51109001	PS	RED
C-01-51109002		YELLOW
C-01-51109003		GREEN
C-01-51109004		AMBER
C-01-51109005		BLUE
C-01-51109006		WHITE

www.aus.at

Contact
Tel: +43 (0)1 271 66 00
e-mail: sales@aus.at
Scheydgasse 48
A-1210 Wien
Austria

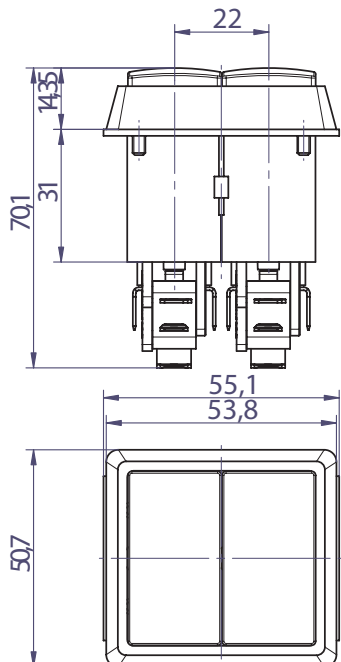
English Rev:1.0.0

A0109

Double Square Push Button
(CG-2)

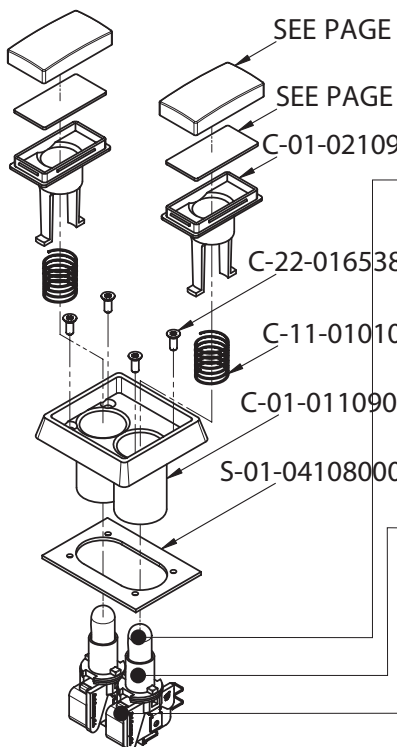
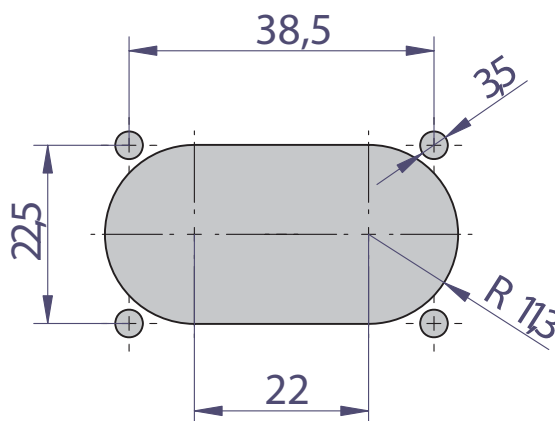


Technical Data



PANEL MOUNTING

Dimensions



Available Lamps:

- T-10 12V 2,2W
 - T-10 12V 1,5W
 - T-10 12V 1,2W
 - T-10 6V 2,0W
 - T-10 6V 1,5W
 - T-10 24V 2,0W
 - T-10 28V 1,6W
- Also available triple "Led" C-08-P3312X

Red LED of 8mm. (Large PCB)

Red LED of 8mm. (Small PCB)

Red LED of 3mm. (Large PCB)



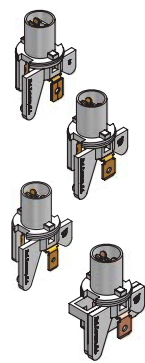
Lampholder:

Standard Lampholder for standard Microswitches. Fast-on 6,35x0,4

Standard Lampholder for standard Microswitches. Fast-on 6,35x0,7

Standard Lampholder for standard Microswitches. Fast-on 4,75x0,7

Standard Lampholder for standard Microswitches. Fast-on 6,35x0,7 lobezno



Available Microswitches:

- SAIA 3t (6,35 mm)
- Honeywell 2t (6,35 mm)
- Cherry 3t (6,35 mm)
- Cherry 3t (4,75 mm)

Exploded view

NOTE: Some modifications or adaptations might be available under special request.

www.aus.at

English Rev:1.0.0

Contact
Tel: +43(0)1 271 66 00
e-mail: sales@aus.at
Scheydgasse 48
A-1210 Wien
Austria