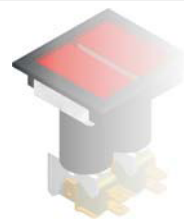


# A0125

Double Square H/L Profile I.P.B.  
(CG/2-E)



## Technical Data

### Features

Robust assembly.

Large number of colours available.

Illumination with Led or T10 Lamp.

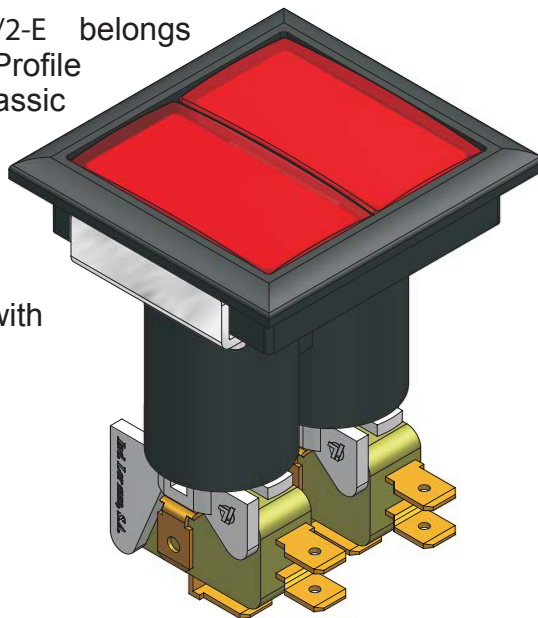
Microswitch variety.

### Applications

Gaming machines where robust, H/L Profile Double Square Push Button are needed.

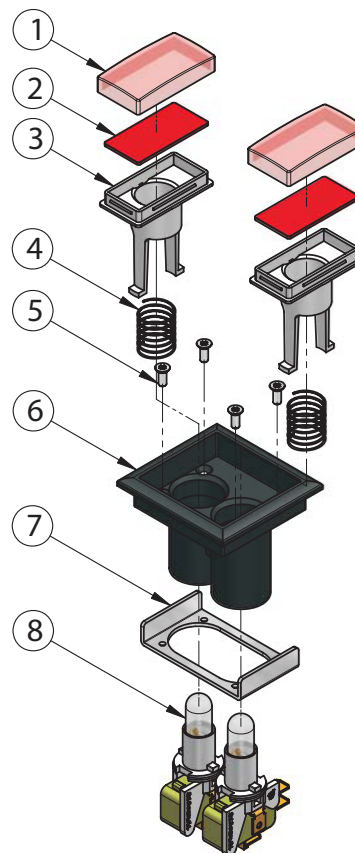
The I.P.B. A0125 CG/2-E belongs to Series High/Low Profile Push Button with Classic Double Square shape and can be mounted depending on convenience.

This I.P.B. is made with Plug-in System.



(1) LENS CAP "CG-2"		
# PART NUMBER	MATERIAL	COLOUR
C-01-50109001	PC (Clear)	RED
C-01-50109002		YELLOW
C-01-50109003		GREEN
C-01-50109004		AMBER
C-01-50109005		BLUE
C-01-50109006		TRANSPARENT

(2) PLASTIC LEGEND "CG-2"		
# PART NUMBER	MATERIAL	COLOUR
C-01-51109001	PS	RED
C-01-51109002		YELLOW
C-01-51109003		GREEN
C-01-51109004		AMBER
C-01-51109005		BLUE
C-01-51109006		WHITE



[www.aus.at](http://www.aus.at)

Contact  
Tel: +43 (0) 1 271 66 00  
e-mail: sales@aus.at  
Scheydgasse 48  
A-1210 Wien  
Austria

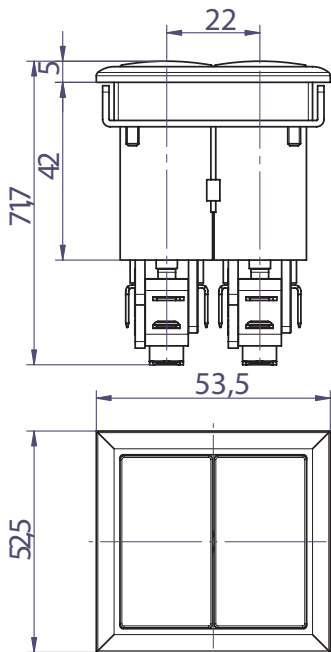
English Rev:1.0.1

# A0125

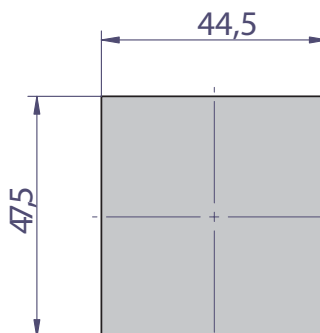
Double Square H/L Profile I.P.B.  
(CG/2-E)



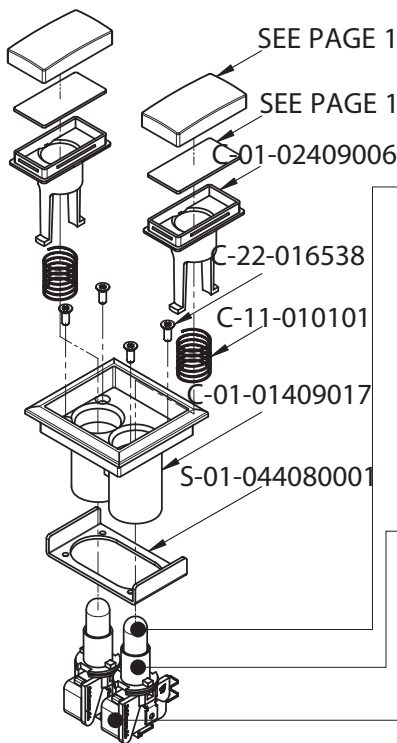
## Technical Data



### PANEL MOUNTING



### Dimensions



Available Lamps:

- T-10 12V 2,2W
- T-10 12V 1,5W
- T-10 12V 1,2W
- T-10 6V 2,0W
- T-10 6V 1,5W
- T-10 24V 2,0W
- T-10 28V 1,6W

Also available triple "Led" C-08-P3312X

Red LED of 8mm. (Large PCB)

Red LED of 8mm. (Small PCB)

Red LED of 3mm. (Large PCB)



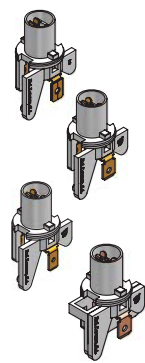
Lampholder:

Standard Lampholder for standard Microswitches. Fast-on 6,35x0,4

Standard Lampholder for standard Microswitches. Fast-on 6,35x0,7

Standard Lampholder for standard Microswitches. Fast-on 4,75x0,7

Standard Lampholder for standard Microswitches. Fast-on 6,35x0,7 lobezno



Available Microswitches:

- SAIA 3t (6,35 mm)
- Honeywell 2t (6,35 mm)
- Cherry 3t (6,35 mm)
- Cherry 3t (4,75 mm)

### Exploded View

**NOTE:** Some modifications or adaptations might be available under special request.

[www.aus.at](http://www.aus.at)

Contact  
Tel: +43(0) 1 271 66 00  
e-mail: sales@aus.at  
Scheydgasse 48  
A-1210 Wien  
Austria

English Rev:1.0.1