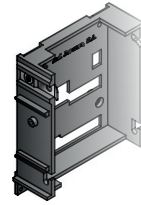


A0503

Plastic Back Channel
(SU/SE)



Technical Data

Features

Made of Technical Plastics of great resistance.

Universal Plastic Back Channel for Electronic Coin Acceptor.

Easy mounting in machine.

Easy mounting Coin Acceptor.

Applications

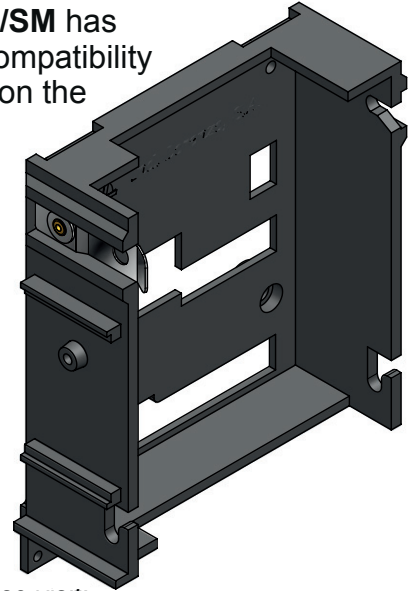
Machines that require Plastic Back Channels for Electronic Coin Acceptors.

The **Plastic Back Channel SU/SM** has “Universal” format for a great compatibility with Electronic Coin Acceptors on the market.

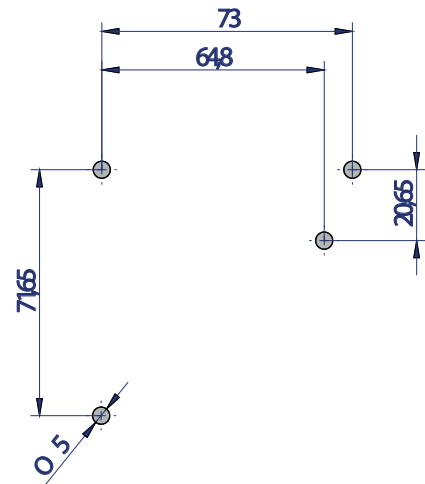
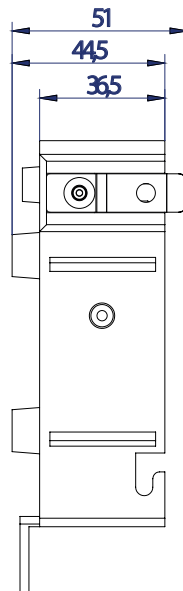
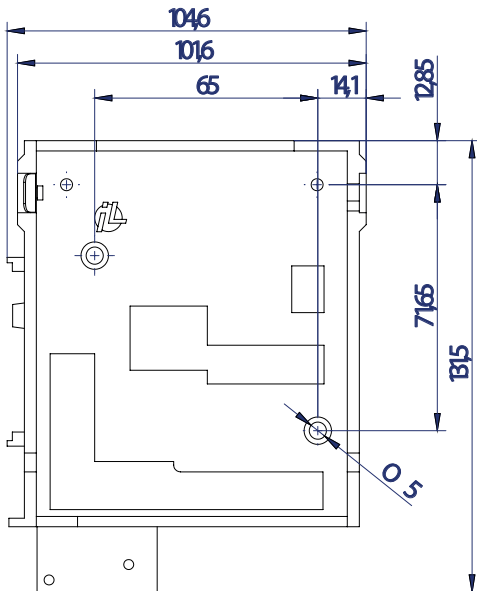
Is a mechanism with a easy mounting system of Coin Acceptor.

This is a long life product because of its solidness and quality of materials.

(We has a large variety of products on catalogue where is diverse Plastic Back Channels. For more information, please visit: <http://www.coinopertorshop.com>)



Dimensions



PANEL MOUNTING

NOTE: Some modifications or adaptations might be available under special request.

www.aus.at

Contact
Phone: +43 (0)1 271 66 00
e-mail: sales@aus.at
Schedygasse 48
A-1210 Wien
Austria

English Rev:1.0.0