

Ticket Dispenser Door  
(PU/13)



A.U.S. SPIELGERÄTE GMBH  
SCHEYDGASSE 48, AT 1210 WIEN  
☎ +43 (0) 1 271 66 00 65 FAX +43 (0) 1 271 66 00 75  
🌐 www.aus.at ✉ verkauf@aus.at



## Technical Document

### Features

Manufactured with high quality technical materials.

Include hole for signal of the LED.

Tubular Lock of Security.

Large variety of models.

Ticket Dispenser of high reliability included.

Compartment of 4.000 Tickets.

### Applications

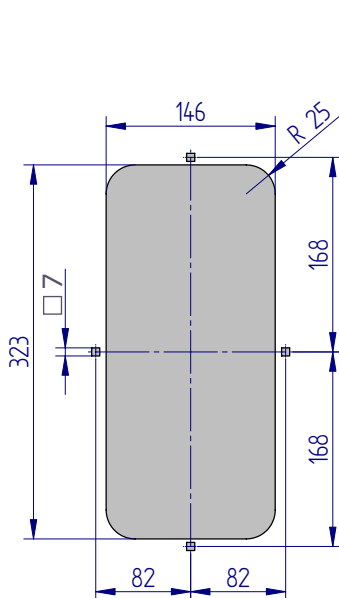
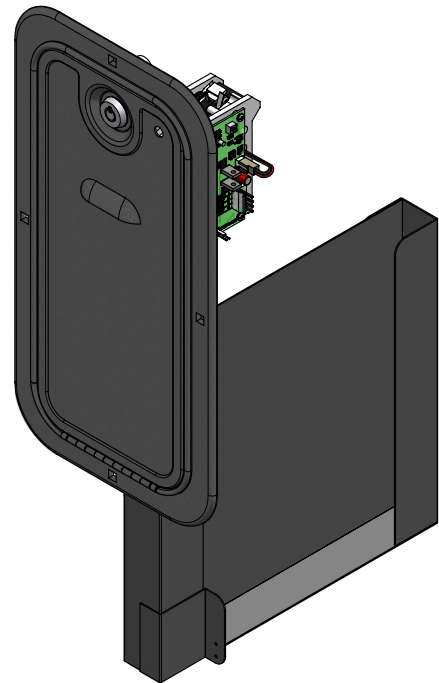
Ticket Dispenser Machines.

The **Ticket Dispenser Door (PU/13)** has been designed for machines that require a Tickets Exit.

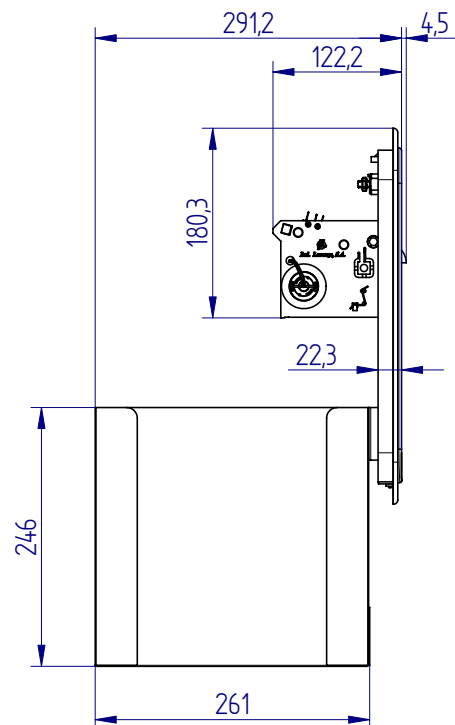
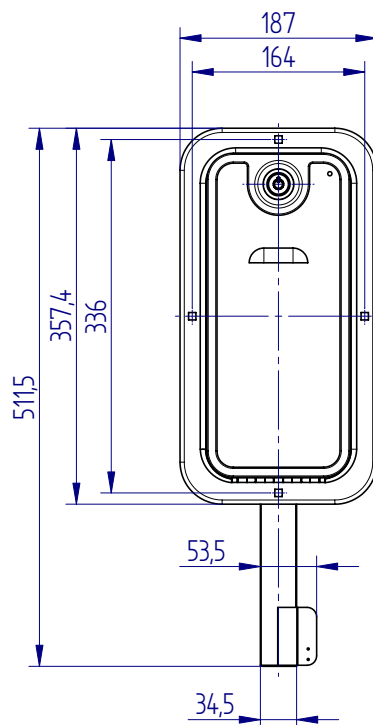
The Door includes a Ticket Dispenser System totally standard for a great compatibility.

Also incorporate a Cash Ticket Dispenser for 4.500 Tickets approximately.

There is various Doors and Compartments models to adjust the Customer's need.



PANEL CUT-OUT



Ticket Dispenser Door  
(PU/13)

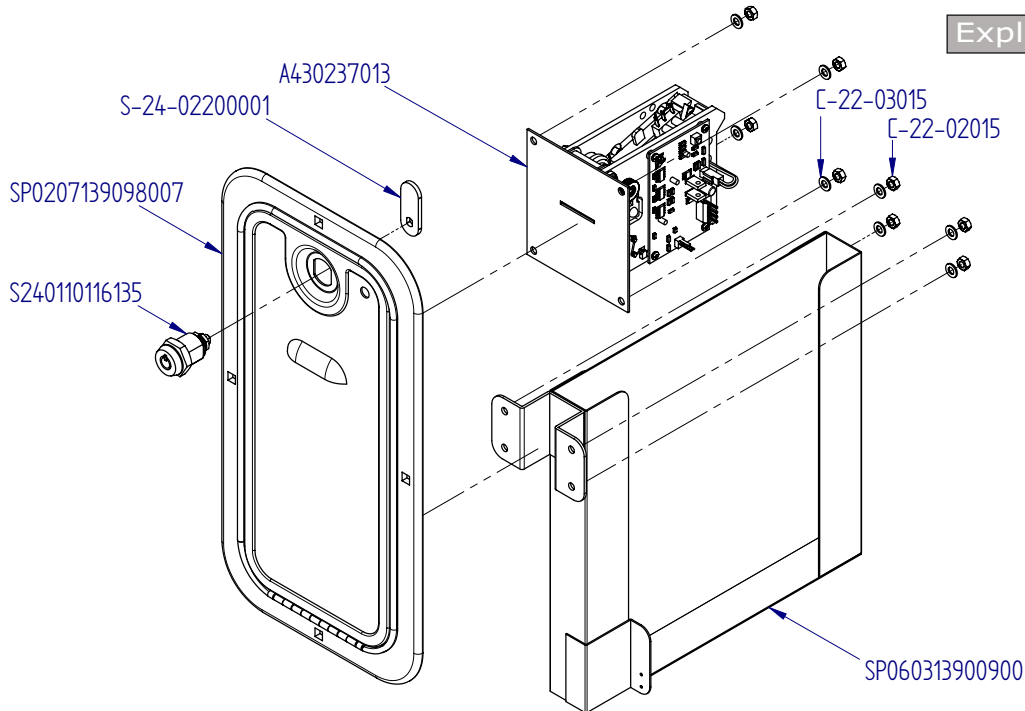


A.U.S. SPIELGERÄTE GMBH  
SCHEYDGASSE 48, AT 1210 WIEN  
☎ +43 (0) 1 271 66 00 65 FAX +43 (0) 1 271 66 00 75  
🌐 www.aus.at ✉ verkauf@aus.at

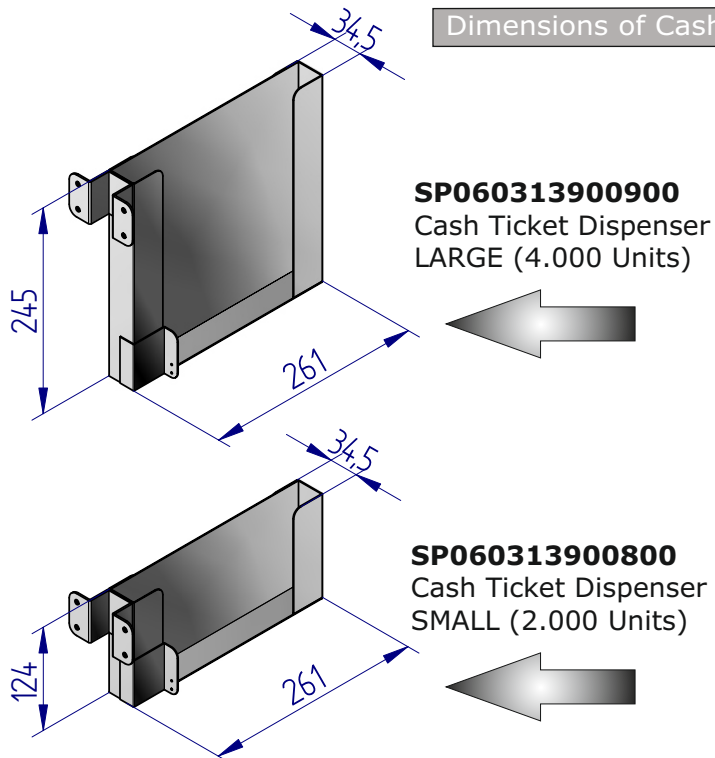


## Technical Document

### Exploded View



### Dimensions of Cash Ticket Dispenser



[www.aus.at](http://www.aus.at)

**Contact**  
Phone: +43 (0) 1 271 66 00  
e-mail: sales@aus.at  
Scheydgasse 48  
A.1210 Wien Austria)

🇬🇧 English Rev:1.1.0



A.U.S. SPIELGERÄTE GMBH  
SCHEYDGASSE 48, AT 1210 WIEN  
☎ +43 (0) 1 271 66 00 65 FAX +43 (0) 1 271 66 00 75  
🌐 www.aus.at ✉ verkauf@aus.at

Ticket Dispenser Door  
(PU/13)

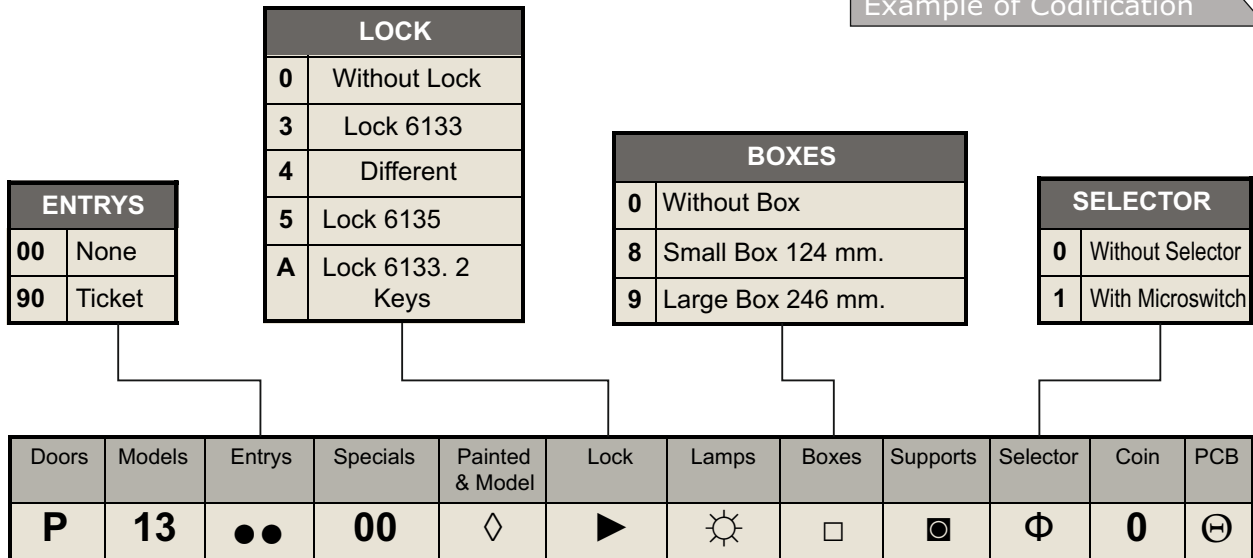


A.u.S. SPIELGERÄTE GMBH  
SCHEYDGASSE 48, AT 1210 WIEN  
☎ +43 (0) 1 271 66 00 65 FAX +43 (0) 1 271 66 00 75  
🌐 www.aus.at ✉ verkauf@aus.at



## Technical Document

Example of Codification

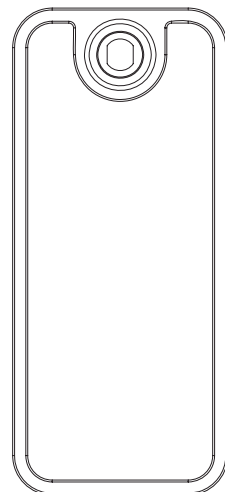


PAINTED / MODELS	
0	Without Painted
1	Red Stuffed
2	Yellow Stuffed
3	Green Stuffed
4	Orange Stuffed
5	Blue Stuffed
6	White Stuffed
7	Black Stuffed
P	Silver Stuffed
M	Black Smooth
E	Silver Smooth
N	Black Smooth
F	Silver Flat
A	Yellow Smooth

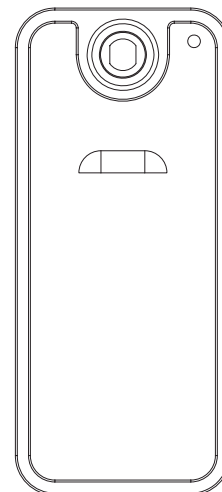
LAMPS	
0	Without LED
1	With LED

SUPPORTS	
0	Without Support
9	With Ticket Dispenser

PCB	
0	Without Coin/Ticket
1	Universal/Green STD
2	Continuous/Red "JST"
3	Continuous/Red "MOLEX"

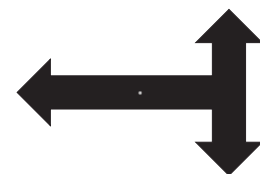


C-06-071300000



C-06-071390980

**C-06-071300000**  
Ticket Door  
136x308 (CIEGA)



**C-06-071390980**  
Ticket Door  
136x308  
(TICKET Exit  
mouth)

**NOTE:** Some modifications or adaptations might be available under special request.

[www.aus.at](http://www.aus.at)

Contact  
Phone: +43 (0) 1 271 66 00  
e-mail: sales@aus.at  
Scheydgasse 48  
A.1210 Wien Austria)

English Rev:1.1.0



A.u.S. SPIELGERÄTE GMBH  
SCHEYDGASSE 48, AT 1210 WIEN  
☎ +43 (0) 1 271 66 00 65 FAX +43 (0) 1 271 66 00 75  
🌐 www.aus.at ✉ verkauf@aus.at