

Indoor change machines

# Dual Coin PRO

## The ideal solution for dispensing large amounts of two different coin/token denominations

Its exceptional structural strength, reinforced closing mechanisms and ccTalk protocol make it one of the most secure change machines on the market.

The 32-bit CPU provides notable functions, such as importing/exporting configuration parameters, exporting accounting data and the useful function of machine cloning.

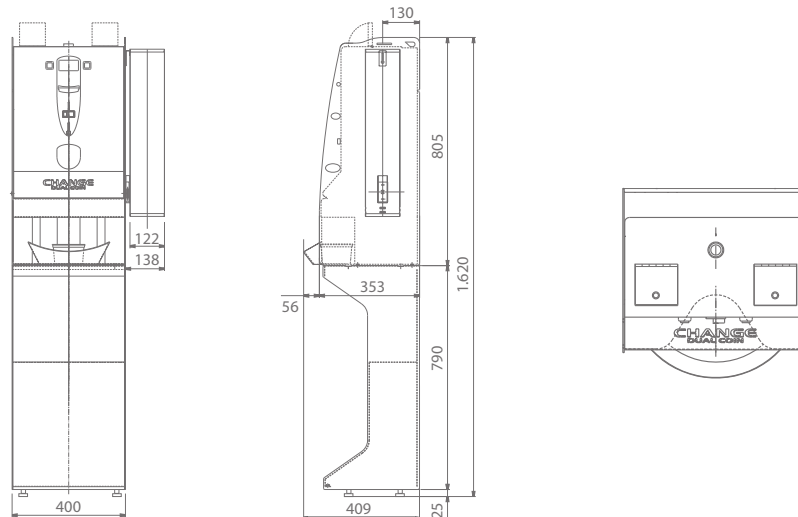
Dual Coin PRO can be equipped with the NV9 USB banknote reader with built-in stacker to stack up to 600 banknotes.



### Features

- Operation via ccTalk.
- Distribution of coins and tokens.
- Bonus function for tokens.
- New 32-bit CPU with SD-Card.
- Exporting of accounting data and importing of configuration parameters via SD-Card.
- Machine cloning function.
- The separate dispensing of coins and tokens, which are contained in different hoppers, can be selected using the appropriate button.
- Internal on/off controls to prevent tampering.
- Pivoting door to facilitate dispenser-loading and cash box removal operations.
- Additional doors for recharging the change machine (located on the cover).
- Coins/tokens dispensed automatically or manually.
- LCD graphic display.
- Installation: wall mounted, by means of 3 anchoring bolts to be inserted at the back of the device; countertop; free standing.

## Technical Schematics



Note: Unit of measure: mm



### Tools

#### Multiconfig

Software to configure the change machine.



### Installed peripherals

- 2 Universal MK IV hoppers with extensions
- NV9 USB/NV10 USB Banknote reader

### Optional peripherals

- RM5 HD coin validator

### Optional accessories

- BRAIN remote control device
- Support base
- Reprogrammable lock
- Coin/token collection cups (max h 120 mm - Ø 145 mm)
- Cup dispensing tube
- Steel protective bars

## Technical Specifications

	Change machine	Change machine on support base
Dimensions (LxHxW)	400 x 805 x 409 mm	400 x 1,620 x 409 mm
Weight	43 kg	60 kg
Power supply	230 Vac - 50 Hz	230 Vac - 50 Hz
Power consumption	60 W max	60 W max
Operating temperature	3 °C ÷ 50 °C	3 °C ÷ 50 °C

## Coin Capacity

	0.50 €	1.00 €	2.00 €
2 Universal MK IV hoppers with extensions	7,000	7,000	6,500
Cash box			4,600



A.u.S. Spielgeräte GmbH  
Scheydgasse 48, AT 1210 Wien

Open times: Mo. - Fr. 9-18  
Tel. +43 1 271 66 00 66 - Fax. +43 1 271 66 00 75  
E-Mail [verkauf@aus.at](mailto:verkauf@aus.at) - Web [www.aus.at](http://www.aus.at)