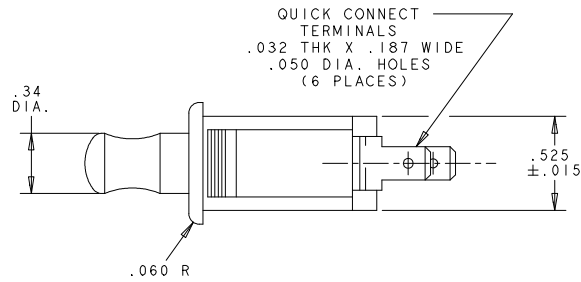


PANEL CUTOUT DETAIL

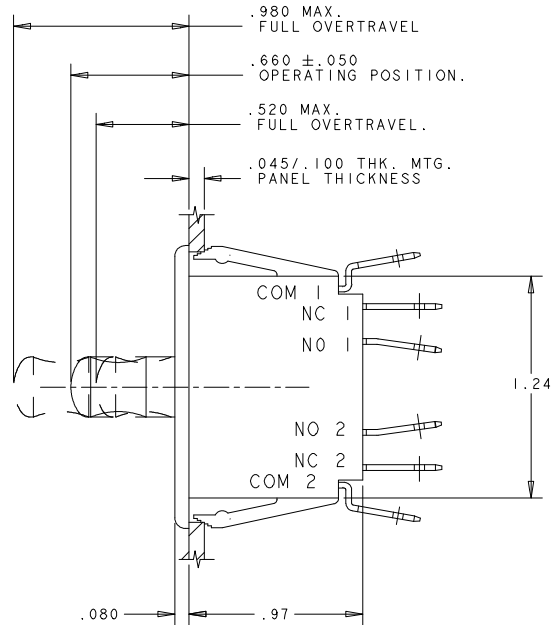
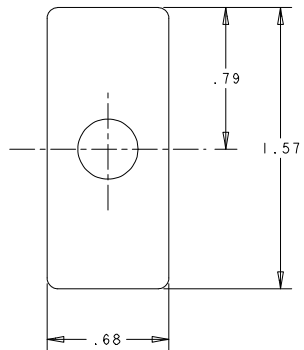


SWITCH CHARACTERISTICS

REST POSITION----- .730 TO .790
 PRETRAVEL----- .125 MAX.
 OVERTRAVEL----- .100 MIN.
 MOVE. DIFF.----- .075 MAX.
 OPER. FORCE----- 737 GRAMS MAX.
 RELEASE FORCE----- 113 GRAMS MIN.

CHEAT INTERLOCK CHARACTERISTICS

OPERATING POSITION---- .800 TO .900
 PRETRAVEL----- .155 MAX.
 OVERTRAVEL----- .030 MIN.
 MOVE. DIFF.----- .090 MAX.
 (F) OPER. FORCE----- 800 GRAMS MAX.



ELECTRICAL RATING

10 AMPS 125/250 VAC
 1/3 H.P., 125/250 VAC

(F) RECOGNIZED TO U.S. AND CANADIAN REQUIREMENTS UNDER THE COMPONENT RECOGNITION PROGRAM OF UNDERWRITERS LABORATORIES, INC.

VDE APPROVED

ORIGINAL ON PROVE

DWN: EV		THE CONFIDENTIAL AND PROPRIETARY INFORMATION CONTAINED IN THIS DOCUMENT IS OWNED BY CHERRY ELECTRICAL PRODUCTS. A DIVISION OF THE CHERRY CORPORATION WHO MUST GIVE WRITTEN PERMISSION BEFORE THE DOCUMENT OR INFORMATION CAN BE COPIED, DISCLOSED OR USED IN ANY WAY.		11200 88TH AVE. PLEASANT PRAIRIE, WI 53158	
APVD: GJP		THIRD ANGLE PROJECTION		ELECTRICAL PRODUCTS	
DATE: 05-Sep-95				NAME / DESCRIPTION	
		TOLERANCE UNLESS SPECIFIED		SPEC DRAWING	
		DWG UNITS: X.XX X.XXX ANGLES INCHES: ± 0.02 ± 0.015 ± 5.0°		C ITEM NO. 0F7930A0	
REV ECO NO. DATE PREP APVD		PROJECT / CSR		SCALE: 2:1 SH 1 OF 1	

F	16842	23-Jan-08	CRM	LFR
REV	ECO NO.	DATE	PREP	APVD